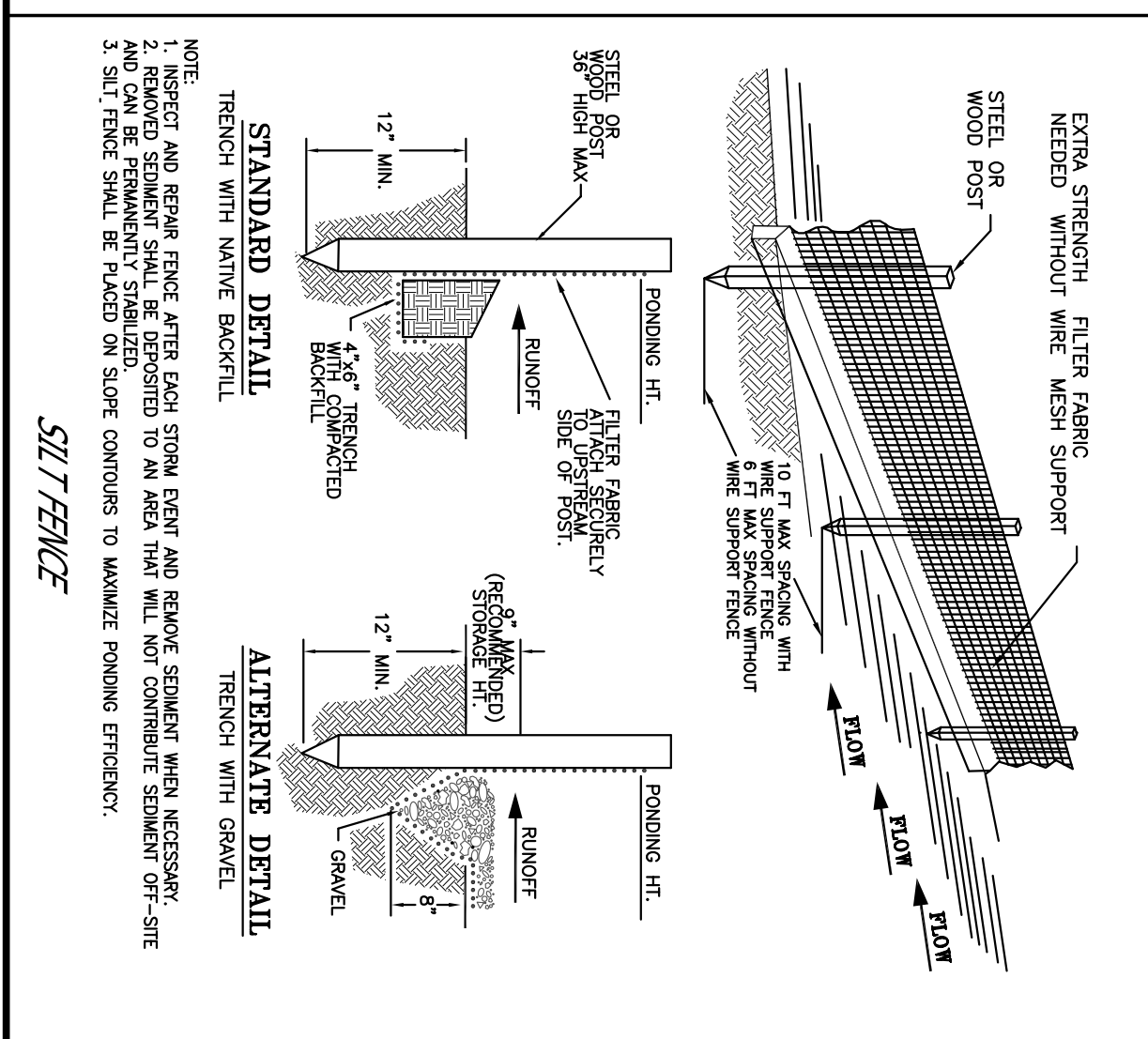


SILT FENCE NOTES

Construction Specifications
The height of a silt fence shall not exceed 36 inches. Storage height shall never exceed 18". The fence line shall follow the contour as closely as possible.
If possible, the filter fabric shall be cut from a continuous roll to avoid the use of joints. When joints are necessary, they shall be spliced only at a support post, with a minimum of 12 inches of overlap.
Posts shall be spaced at a minimum of 10 feet apart, and driven evenly into the ground. Posts shall be spaced at a minimum of 12 feet apart, and driven evenly into the ground. Posts shall be spaced at a minimum of 12 feet apart, and driven evenly into the ground.
A trench shall be excavated approximately 4 inches wide and 6 inches deep along the line of posts and upslope from the barrier.
When standard-strength filter fabric is used, a wire mesh support fence shall be fastened securely to the upslope side of the posts using heavy duty wire staples at least 1 inch long. The wires or hog rings. The wire shall extend into the trench a minimum of 2 inches and shall not extend more than 36 inches above the original ground surface.
The standard-strength filter fabric shall be stapled or wired to the fence, and 6 inches of fabric shall extend above the trench. The fabric shall not extend more than 36 inches above the trench.
When extra-strength filter fabric and closer post spacing are used, the wire mesh support fence may be eliminated. In such a case, the filter fabric is stapled or wired directly to the posts.
The trench shall be backfilled and the soil compacted over the toe of the filter fabric.
Silt fences placed at the toe of a slope shall be set at least 6 feet from the toe in order to increase ponding volume.
Silt fences shall be removed when they have served their useful purpose, but not before the upslope area has been permanently stabilized, and any sediment stored behind the silt fence has been removed.
Inspection and Maintenance
Silt fences and filter barriers shall be inspected weekly and after each significant storm (1" or more rain in 24 hr.). Any required repairs shall be made immediately. Sediment shall be removed when it reaches 1/3 height of the fence or 9 inches maximum.
The removed sediment shall be stabilized or otherwise stabilized.



No.	Revisions	Date	By
1	PER JEA COMMENTS	02-09-06	WES
2	PER COJ 10 SET, SURVMD RAI	03-04-09	WES
3	PER HRS	03-25-09	WES
4	PER COJ 10 SET FINAL	03-25-09	WES
5	PER COJ 10 SET	04-06-09	WES
6	PER DCHD	04-27-09	WES

THE JOHN STOKES COMPANY
(904) 321-1832
2424-A LYNNDALE ROAD
FERNANDINA BEACH, FLORIDA
FLA. CERTIFICATION NO. CGC026018

WILLIAM E. (ED) TULLY III, INC.
Consulting Civil Engineer
FLORIDA REG. P.E. # 36191
(904) 824-6371; Fax: (904) 824-9305
10625 Quail Ridge Drive - Ponte Vedra, FL 32081
Certificate of Authorization # 4576
Not valid unless embossed by a seal

BRIDEGROOM APOSTOLIC CHURCH
S.W. CORNER OF TARLING AVENUE AND FINCH AVENUE

OFFSITE UTILITY PLAN