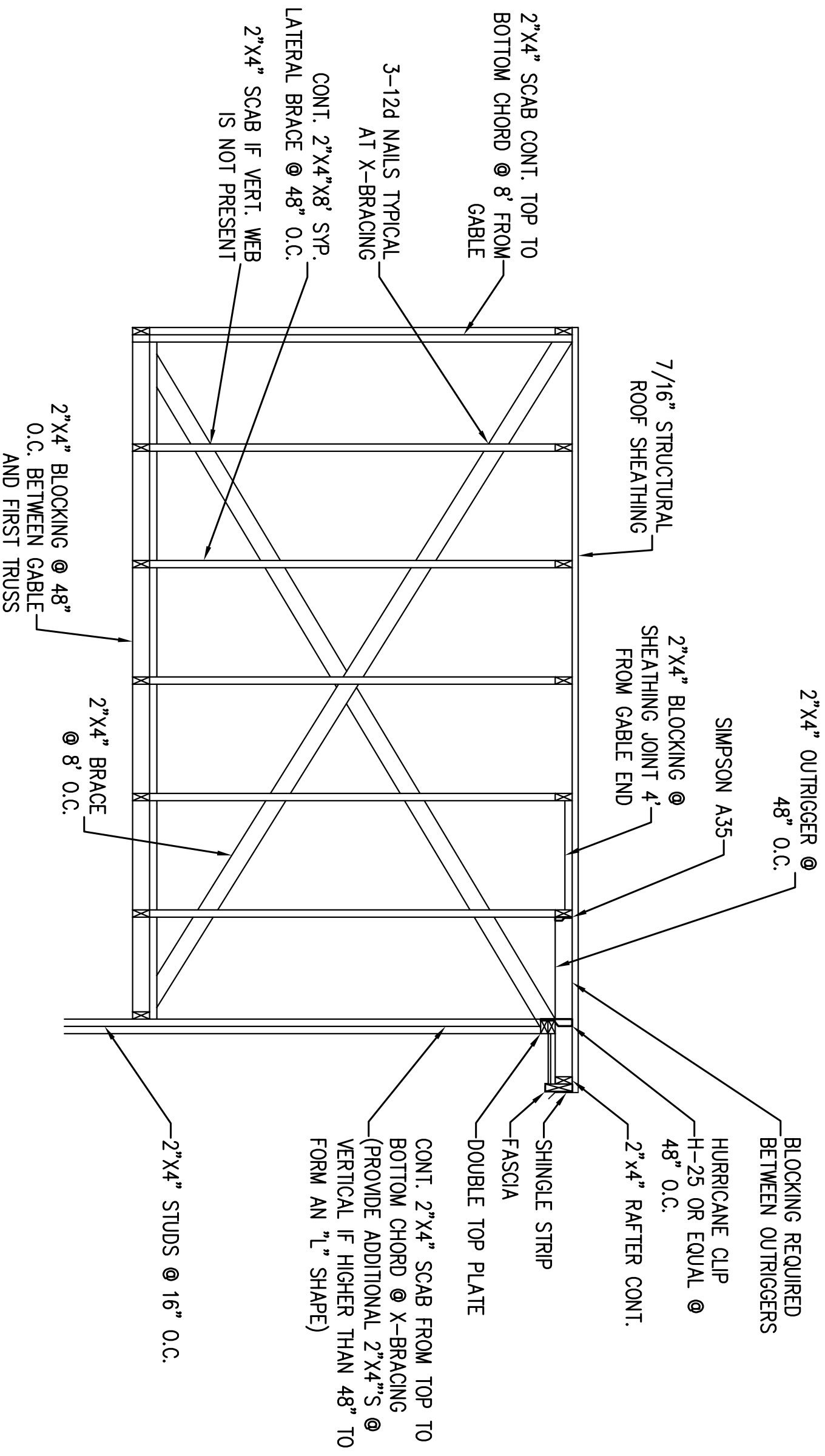


NOTE:
ANCHOR BOLTS MAY BE LOCATED AT EITHER SIDE OF KING STUDS. PLATE MUST BE CONT. BETWEEN BOLT AND KING STUD. ANCHOR BOLTS MUST BE WITHIN 12" OF KING STUDS. 3/8" Ø X 12" A.B. @ 32" O.C. (TPP)

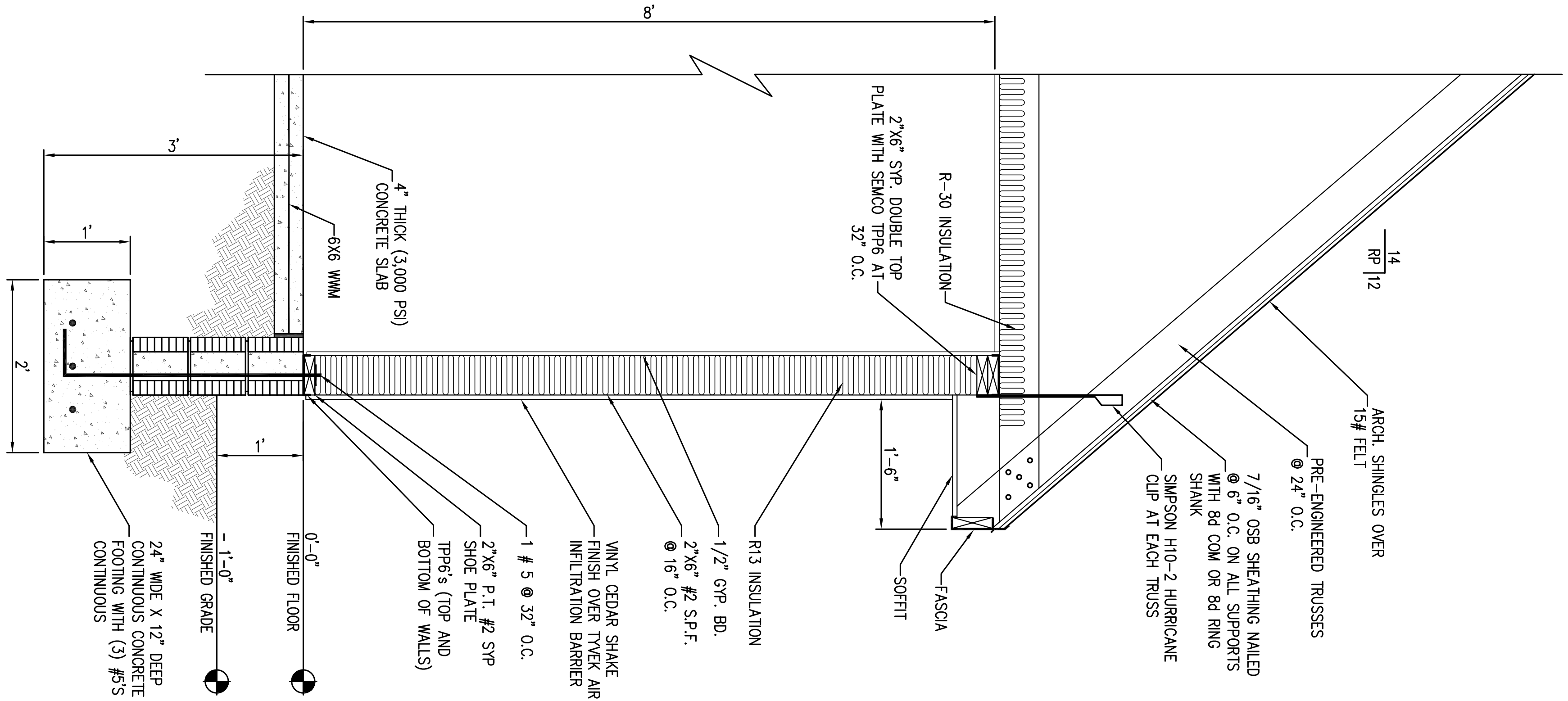
NOTE:
OPENING TO 5' WIDTH USE (1) TPp4/6 TOP AND BOTTOM. OPENINGS 5' TO 7' WIDTH USE (2) TPp4/6 TOP AND BOTTOM

TPp4/6 AT 32" O.C.

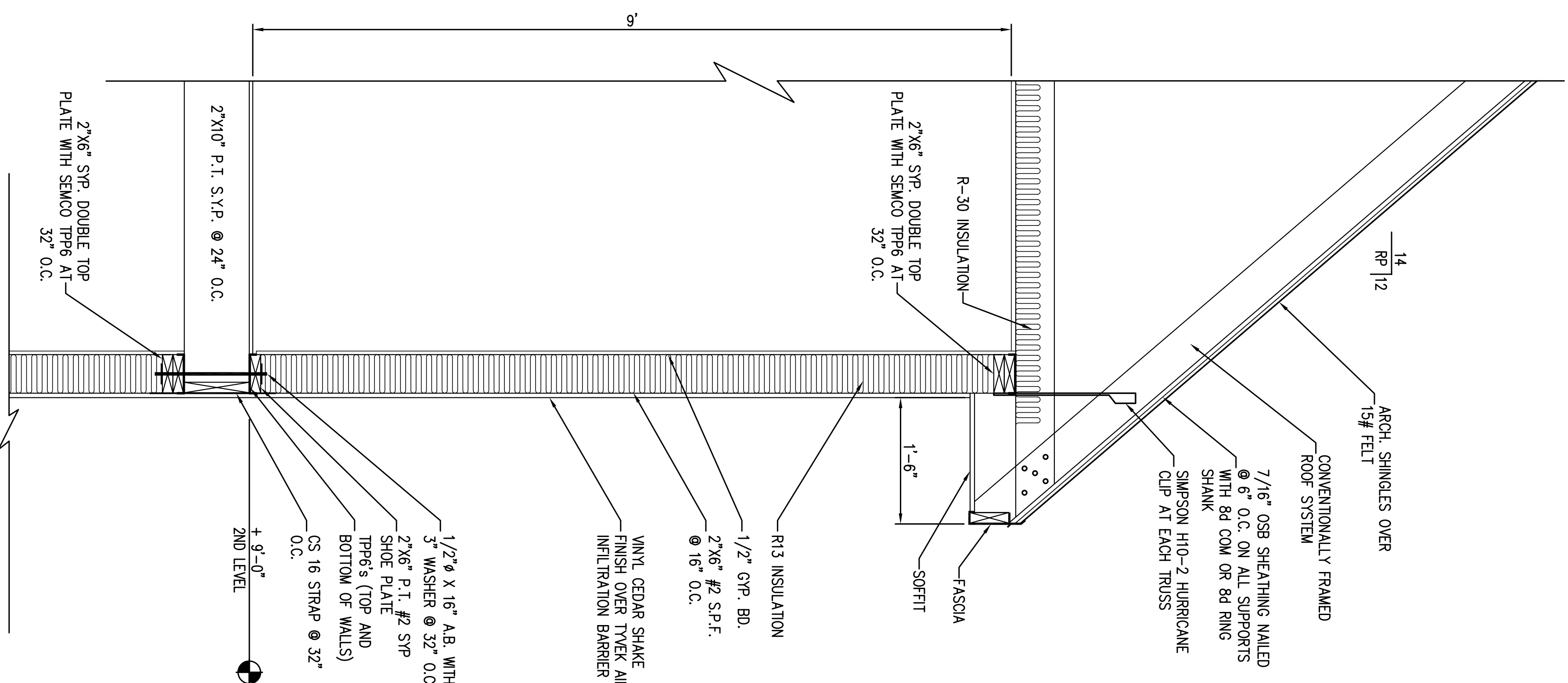
TYPICAL HEADER STRAPPING
SCALE : 1/2" = 1'-0"



TYPICAL GABLE END (X-BRACING)
SCALE : 1/2" = 1'-0"



TYPICAL WALL SECTION - 1ST LEVEL
SCALE : 1" = 1'-0"



TYPICAL WALL SECTION - 2ND LEVEL
SCALE : 1" = 1'-0"

No.	Revisions	Date	By

Shields CAD Services
3503 Burling Way - Jacksonville Beach, FL 32250
Phone : (904) 241-1540 - Fax : (904) 247-1577
Email : bill71@cxp.com